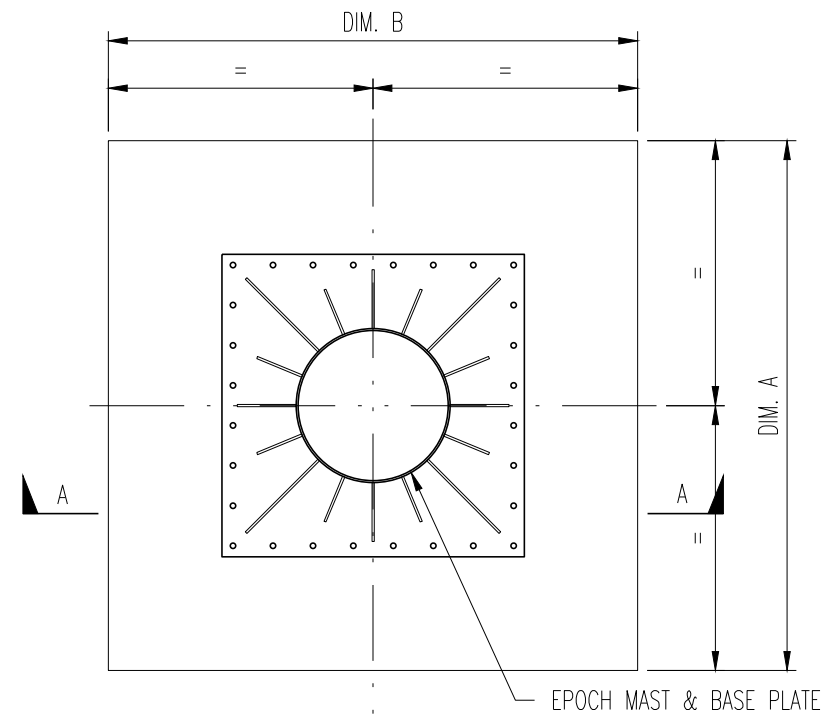
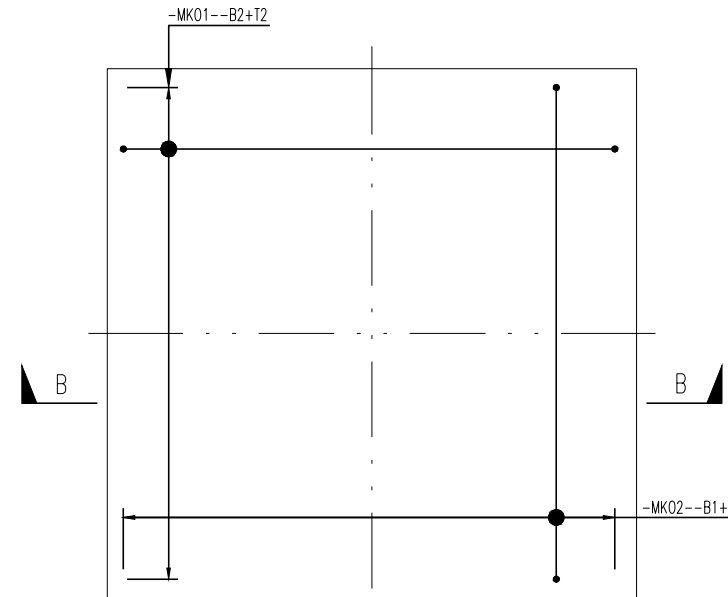


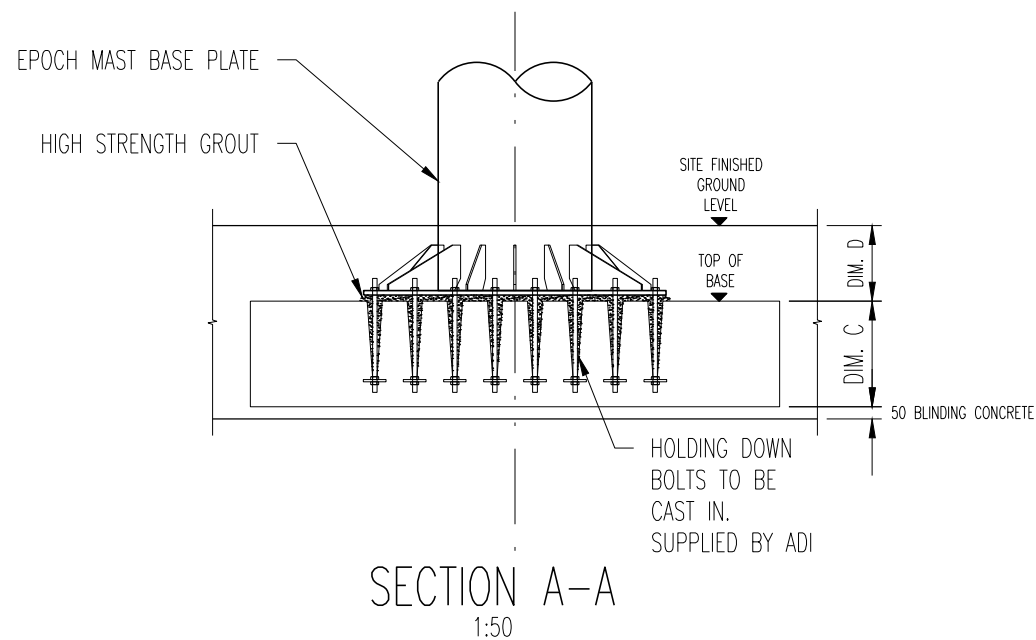
EPOCH REFERENCE	DIM. A (mm)	DIM. B (mm)	DIM. C (mm)	DIM. D (mm)	BAR SIZES	REBAR WEIGHT (kg)	ALLOWABLE GROUND BEARING PRESSURE REQUIRED (kN/m <sup>2</sup> )
230	3500	3500	650	475	H16	375	40
330	4500	4500	850	475	H16	700	50
400	5000	5000	1050	480	H20	1000	60
460	5300	5300	1200	480	H20	1300	70



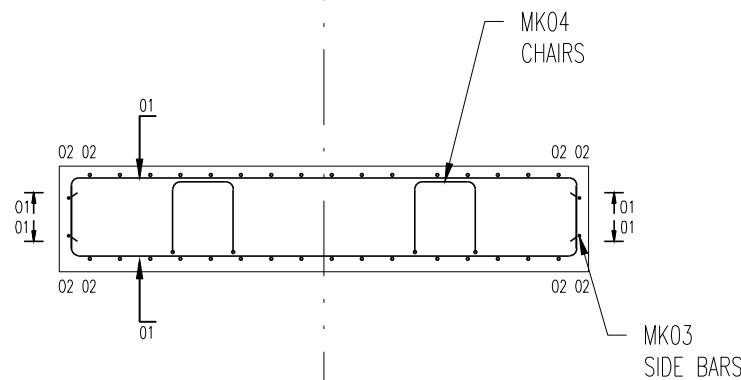
GENERAL ARRANGEMENT PLAN  
1:50



R.C DETAILS PLAN  
1:50



SECTION A-A  
1:50



SECTION B-B  
1:50

RC NOTES

Cover to reinforcement to be a MINIMUM :

Location	Cover
BOTTOM	50mm
WALLS	50mm

Reinforcement to be in accordance with Consulting Engineer's Specifications.

H - High yield type II high bond strength bars in the metric round range of areas.

For reinforcement see schedule numbers :- 01  
All bars on this drawing to be prefixed :- SA-01-0001

On no account should holes or other openings be cut or any reinforcement be cut or displaced in any part of the structure without prior approval of the Consulting Engineer.

The concrete mixes are to be :

Location	Min. req'd cube strength at 28 days	Max. aggr. gate size
BASE	C28/35	20mm
BLINDING CONCRETE	C25/30	20mm

1. All materials workmanship shall be in accordance with Waterman Structures Limited specification.

2. This drawing is to be read in conjunction with all the relevant Engineer's drawings. Architect's and specialist's drawings should be referred to for verification of all setting-out dimensions and any services or fixing required in the concrete work.

3. Cover to all reinforcement from concrete is to be 50mm

4. Concrete grade & finish as Concrete Specification.

5. This drawing is to be read with the following legend:

- B1 = Bottom face, 1st layer
- B2 = Bottom face, 2nd layer
- T1 = Top face, 1st layer
- T2 = Top face, 2nd layer
- EF = Each Face
- NF = Near Face
- FF = Far Face

6. Minimum laps for bars to be as follows.

- H25 = 1100mm
- H20 = 1000mm
- H16 = 800mm
- H12 = 600mm
- H10 = 500mm

GENERAL NOTES

- THIS DRAWING IS COPYRIGHT AND THE PROPERTY OF WATERMAN STRUCTURES AND IS NOT TO BE COPIED IN WHOLE OR IN PART EXCEPT UNDER A WRITTEN AGREEMENT.
- DO NOT SCALE THIS DRAWING. ANY DISCREPANCY IS TO BE REPORTED TO THE ENGINEER IMMEDIATELY.
- THIS DRAWING IS TO BE READ IN CONJUNCTION WITH ALL ENGINEER'S, ARCHITECT'S OR OTHER RELEVANT DRAWINGS AND SPECIFICATIONS.
- ALL DIMENSIONS AND LEVELS ARE TO BE CHECKED ON SITE BY THE CONTRACTOR PRIOR TO PREPARING ANY WORKING DRAWINGS OR COMMENCING ON SITE.
- THE CONTRACTOR MUST ENSURE AND WILL BE HELD RESPONSIBLE FOR THE OVERALL STABILITY OF THE BUILDING/STRUCTURE/EXCAVATION AT ALL STAGES OF THE WORK.
- ALL WORK BY THE CONTRACTOR MUST BE CARRIED OUT IN SUCH A WAY THAT ALL REQUIREMENTS UNDER THE HEALTH AND SAFETY AT WORK ACT ARE SATISFIED.
- ALL WORK IS TO BE CARRIED OUT IN COMPLIANCE WITH THE REQUIREMENTS OF THE RELEVANT STATUTORY AUTHORITIES AND REGULATIONS.

A01	01:02:17	ISSUED FOR CONSTRUCTION	SW
Rev	Date	Description	By

Amendments

Project	<b>EPOCH 52</b>
---------	-----------------

Title	<b>EPOCH ROLL OUT FOUNDATIONS TYPICAL GA AND RC DETAILS</b>
-------	---

Client	ADI
--------	-----



5th Floor One Cornwall Street Birmingham B3 2DX

1 0121 212 7700

mail@watermangroup.com www.watermangroup.com

Drawing Status **INFORMATION**

Designed by	CT	Checked by	CT	Project No	<b>STR13843</b>
Drawn by	SW	Date	FEBRUARY 2017	Computer File No	
Scales @ A3 work to figured dimensions only		1:50	STR13843-WSL-SA-20-0001-A01.dwg		
Publisher	Zone	Category	Number	Revision	<b>A01</b>
WSL	SA	20	0001		

